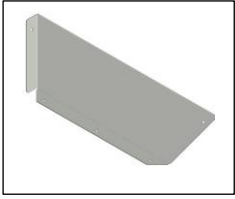
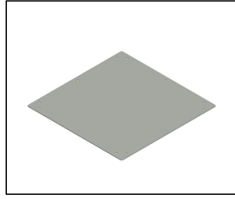


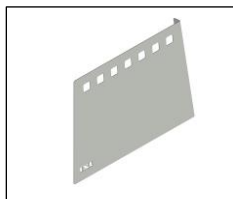
IXL MANSFIELD FIREPIT ASSEMBLY INSTRUCTIONS



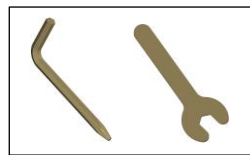
Fire pit sides x 4



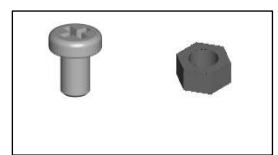
Firepit base x 1



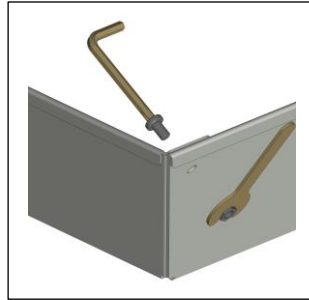
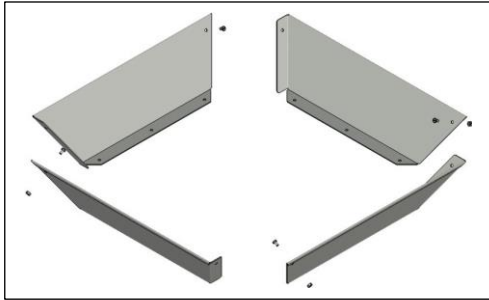
Stand sides x 4



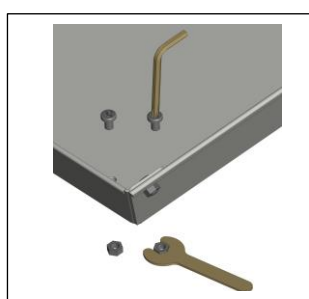
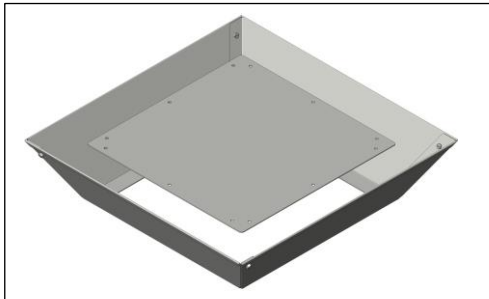
Screw driver x 1
M5 Spanner x 1



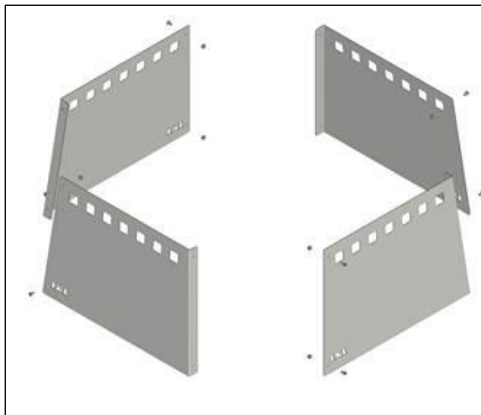
M5 Bolt x 24
M5 Hex Nut x 24



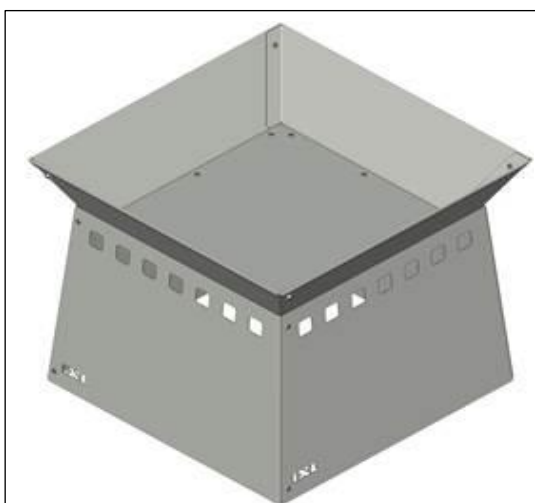
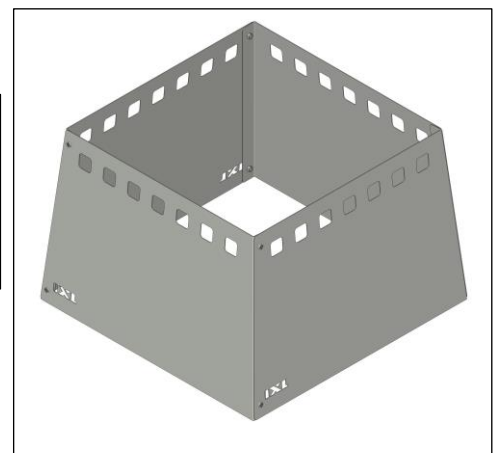
Assemble pit sides with flange on the inside and insert screws from inside and nuts on outside of sides.



Once all pit sides are together place base on top of flanges and insert screw through top and nut on underside.



Assemble stand sides with flange on the inside. Insert screws from the outside with nuts on the inside.



Place fire pit in top of stand as shown in diagram.

- * Gloves are to be worn when assembling fire pit.
- * Panels may have sharp edges.
- * Only finger tighten nuts until all bolts have been inserted. Use supplied tools to secure fixings.
- * This fire pit is made from Australian mild steel and is designed to go rusty over a period, some panels may have commenced this process when purchased.

FOR USER GUIDE PLEASE GO TO WWW.IXLAPPLIANCES.COM.AU