

Ventilation Requirements

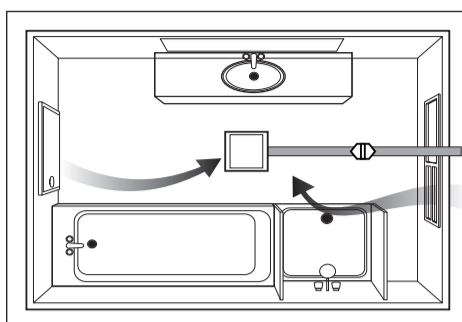


Fig.1: Ideal placement of Tastic.

For maximum efficiency and fan performance there are a few key points to keep in mind when installing your Tastic.

Sufficient air inlet into room

Steam will only be removed if there is sufficient flow of air through the room.

Ensure generous inlets exist through windows, vents or under the door.

Airflow path from inlet to fan should ideally pass over the steam sources (see Fig.1)

Bathrooms which have high ceilings, are larger than average, or have an open shower may all require an additional ventilation fan to be installed.

We recommend that you visit our website for further details and suggestions on effectively ventilating your bathroom.

Clearances

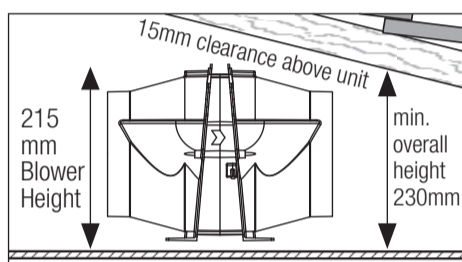


Fig. 2a: Minimum blower clearances

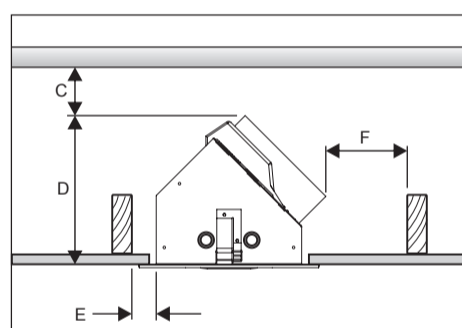


Fig. 2b: Minimum clearances for installation

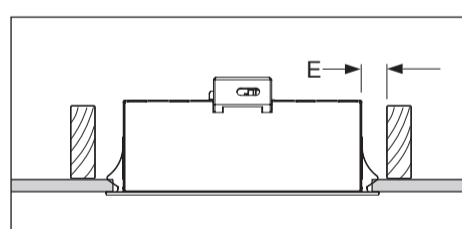


Fig. 2c: Minimum clearances for installation

Recommended Ceiling Heights

Minimum ceiling height for all models Tastic Luminate is 2.2m.

Ensure that the exhaust outlet of the Tastic is directed towards the outer wall.

All appliances must be mounted so that the lowest point is at least 2.2m above the floor. The Vent body and ducted blower is designed to fit a ceiling cavity or between – floor space with a minimum height of 245 mm. The modules may be installed between joists using the spring clips (Fig. 2c). Ensure that the outlet of the Vent unit is directed towards the outer wall. If the desired orientation of the Vent unit directs the ducting across ceiling joists ensure that the closest ceiling joist is not within 150 mm of the Vent outlet.

Figure 2a - Minimum Blower Clearances

Figure 2b - Minimum Unit Clearances

C: Models: 34401, 34402, 35401 & 35402-50 mm
Models: 36411 & 36412 - 75 mm

D: Models: 34401, 34402, 35401 & 35402-195 mm
Models: 36111 & 36112 - 151 mm

E: Models: 34401, 34402, 35401 & 35402-35 mm to structural member

Models: 36411 & 36412 - 50mm to structural members.

F: Models: 34401, 34402, 35401 & 35402-150 mm.

Figure 2c

Models: 34401, 34402, 35401 & 35402-35 mm

min.clearance is required near all joists

Models: 36411 & 36412-50 mm min.

clearance is required near all joists.

Luminate Heat Module Clearances

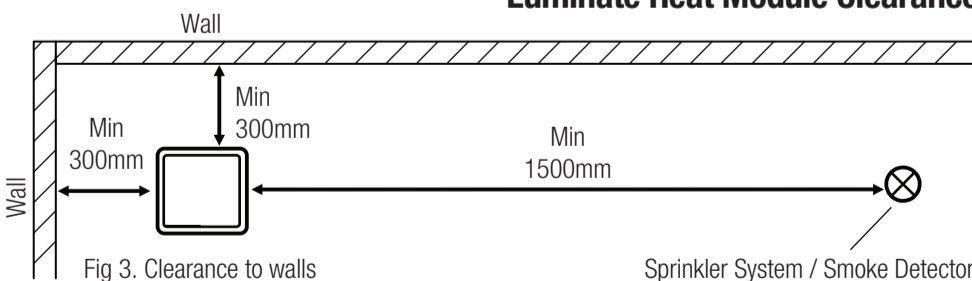


Fig 3. Clearance to walls

Exhaust Fan Capacity 400m³/hr
Recommended Room Size

Luminate Vent Area Suitability:
8.3m² with shower / 20.8m² without shower
Based on standard 2.4m ceiling height

Luminate Vent & Light Area Suitability:
8.3m² with shower / 20.8m² without shower

Overview

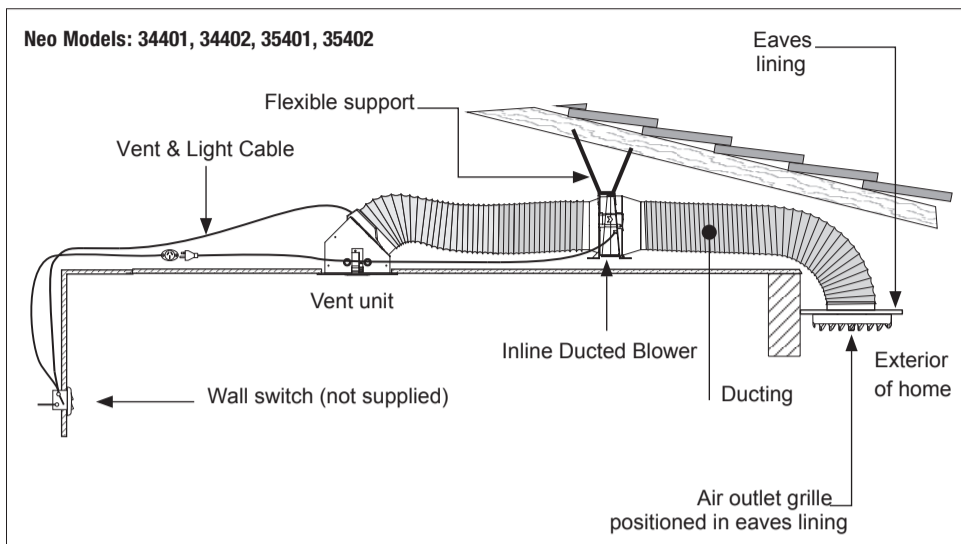


Fig. 4: Layout of Luminate Vent & Light

Electrical Requirements



For Luminate modules fitted with LED centre lamps. To ensure correct operation and to prolong the life of the LEDs please wire as per the following wiring diagrams for the appropriate model.

Modules may be connected to a lighting or power circuit if loading permits. These models are for wired-in installation and wiring must be carried out by a registered electrician. Switches and a wall plate are not provided with the Vent & Heat Luminate modules. Do not use these products with any solid state speed control or commercial dimming device.

Luminate Vent & Light module is fitted with a custom LED panel.

Safety

Read through these instructions completely before commencing installation.



- When installed, the Tastic Luminate appliance shall, under no circumstance, be covered with insulating material or similar material.
- This Tastic unit must be installed horizontally in the ceiling.
- There is no IP rating on the Luminate Heat module. Vent and Vent & Light modules have IPX4 rating.
- To prevent overheating do not place any object within 1 metre of heat lamps.

NOTE: This product must be installed by a qualified installer.

Locate the Tastic in accordance with the requirements of the current Australian/New Zealand Wiring Rules AS/NZS 3000 relating to damp situations.

In some installations this may mean that no part of these Tastic may be located directly above any part of a bath or shower recess or enclosure. For unenclosed showers refer to Wiring Rules conditions. Switches and other controls must not be located where they can be touched by a person in the bath or shower.

- Do not look directly into heat lamps when in use.
- Tastic products are not tanning lamps.
- Make sure the lamps have cooled and power is off to the Tastic before removing lamps for replacement.
- Do not operate this appliance without the fascia or glass panels in position.
- This appliance is not intended for use by persons (including children) with reduced physical, sensory or mental capabilities, or lack of experience and knowledge, unless they have been given supervision or instruction concerning use of the appliance by a person responsible for their safety.
- Young children should be supervised to ensure they do not play with the appliance.
- This appliance must be mounted with the lowest point at least 2.2 metres from the floor.
- If the supply cord is damaged, it should be replaced by the IXL Home or its service agent or a similarly qualified person in order to avoid a hazard.
- This appliance must not be mounted immediately below a socket outlet.
- Regulations concerning the discharge of air have to be fulfilled.

WARNING: Curtains or combustible material may ignite if in contact or close proximity with the heater.

Safety Features

Thermal Switch (Heat Module only)

When for any reason the temperature inside the unit reaches 65°C, the thermal switch will cut off power to the Tastic Luminate. When the temperature drops, the thermal switch will automatically reset and reconnect the power.

Wiring Diagrams

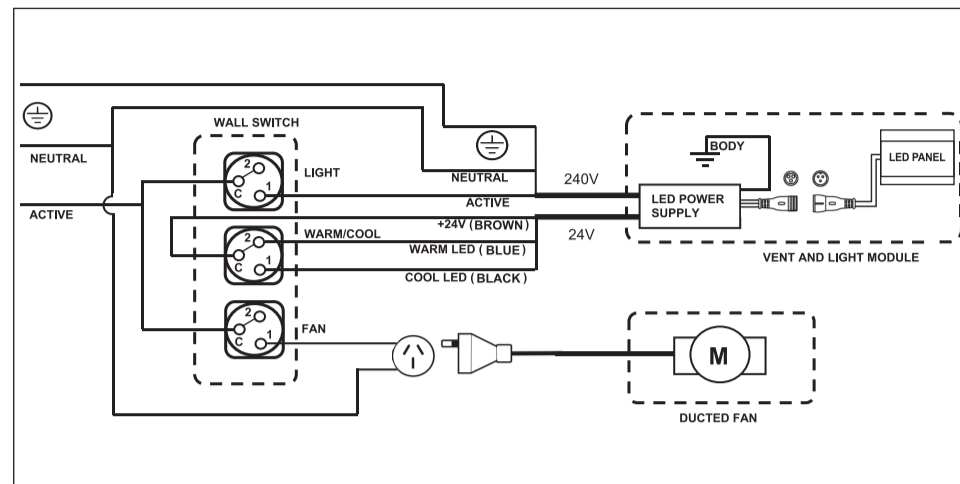
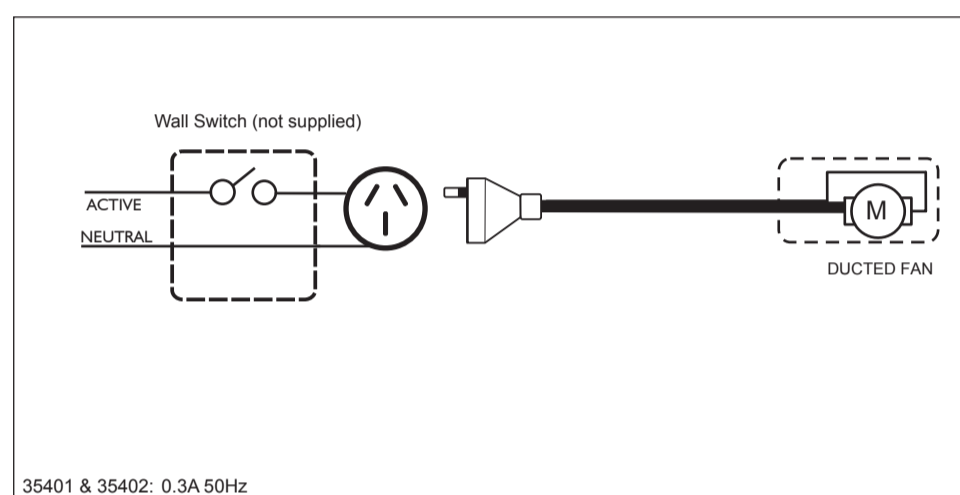


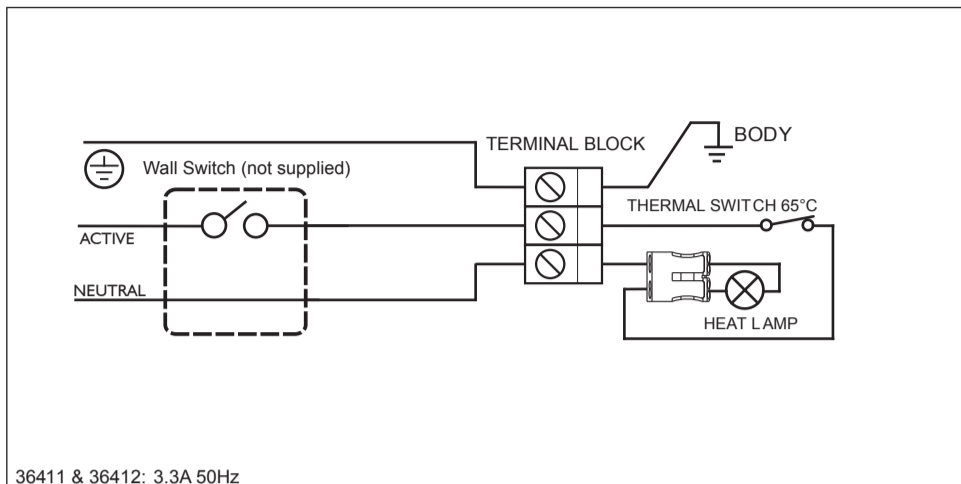
Fig. 6: Wiring diagram for models 34401 and 34402, Luminate Vent & Light



35401 & 35402: 0.3A 50Hz

Fig. 7: Wiring diagram for model 35401 and 35402, Luminate Vent

Wiring Diagrams



36411 & 36412: 3.3A 50Hz

Fig. 8: Wiring diagram for model 36411 and 36412, Luminate Heat.

Wiring – Aust & NZ

For the heat module (models 36411, 36412) a local isolating switch (not supplied) must be incorporated in the fixed wiring to the appliance to allow disconnection of supply during maintenance. A local isolating switch (not supplied) must be incorporated in the fixed wiring to the appliance to allow disconnection of supply during maintenance.

The Tastic Luminate is classified as a Room Heater and as such:

In accordance to AS/NZS 3000 this isolating switch shall be -

(a) installed immediately adjacent to an entrance to, or within, the room where the room heater is located; or

(b) installed on the switchboard at which the room heater final subcircuit originates.

Refer to AS/NZS 3000 for further regulations regarding isolating devices.

It must not be installed where it can be reached from the bath or shower recess or enclosure (see AS/NZS 3000 Section 7).

Vent & Vent & Light models 34401, 34402, 35401 & 35402:

Switch the power outlet for the Inline Blower with a wall switch (not supplied with Vent Module) as per the Wiring Diagrams. Do not mount the power outlet for the Inline Blower more than 200 mm from the Inline Blower.

Cut-out size: 292mm x 332mm

Cut-out size: 214mm x 332mm

Installation

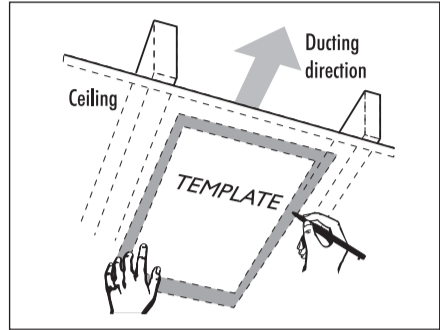


Fig. 11: Use template to mark position of module

The Luminate modules may be installed between joists using the spring clips, clearances must be maintained as per Fig. 2b, 2c & 2d.

IMPORTANT: Joists, beams and rafters shall not be cut or notched to install the appliance.

Depending on your model, the modules have a weight of 1.5 – 2.8 kg (see below). If adequate support is not available for the modules, it may be necessary to provide extra strengthening.

- Luminate Vent & Light - approx 2.8kg
- Luminate Vent - approx 1.5 kg
- Luminate Heat - approx 2.6 kg

If ceiling battens have been cut to install this product then ensure that the cut ceiling battens are adequately secured to rafters.

NOTE: This product must be installed by a qualified installer. Ensure power is off to location of Tastic.

Cut out hole for Luminate module

After determining the location of the Luminate module, mark out and cut aperture in ceiling using the appropriate template. Trim the template to the outside of the black outline.

Installation

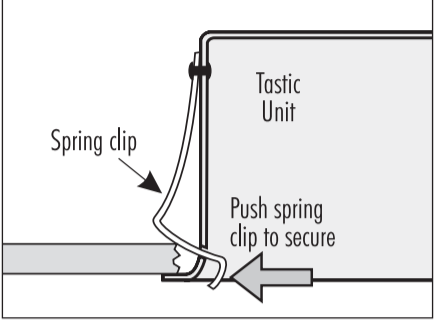


Fig. 12

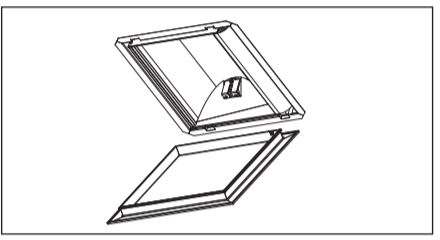


Fig. 13

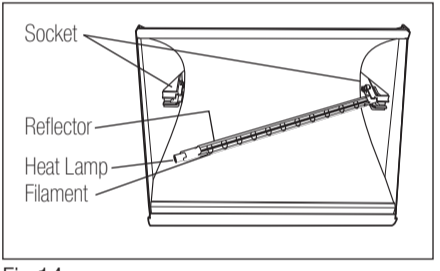


Fig. 14

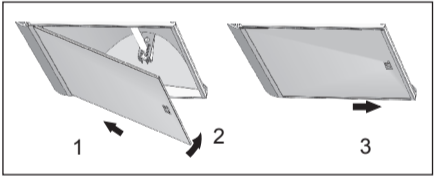


Fig. 15

Heat module (models 36411 & 36412)

IMPORTANT: Under no circumstances shall this appliance be covered with insulating material or similar material.

1. Unscrew terminal cover and make necessary electrical connections. Refit terminal cover. Do not turn on power to unit.
2. Push unit into ceiling aperture, allowing metal springs to snap open. As the unit is raised into the ceiling, ensure electric cable does not rest on the unit.
3. To secure the unit in position, push lower ends of springs apart (Fig 12.). Ceiling board thickness should be adjusted to enable springs to be fitted without excessive force.
4. Clip fascia into the unit. Fig 13.

Fitting Heat Lamps

NOTE: Natural skin oils and salts damage new halogen lamps and shorten their life. Only handle a new heat lamp with soft, dry, clean, lint-free cloth or paper. You can wear gloves, cover your fingers or wrap the heat lamp until it is installed (so long as you remove all cloth or paper when finished). If your skin touches a new heat lamp, wipe it gently with alcohol-moistened cloth or paper.

- The heat lamp is half coated with a white reflector. When you grasp the heat lamp, face the back of the reflector to the ceiling (so you can see the heat lamp's filament). Not doing this will reduce performance. (Fig 14)
5. Ensure power is off at the isolating switch
 6. Fit one end of the heat lamp into a socket and gently push it away from the other socket. (Fig 14)
 7. When there is enough room, fit the other end of the heat lamp into its socket.
 8. Gently rotate the heat lamp to ensure it is correctly seated (i.e. it looks like the old one did before you removed it).
 9. Fit the glass sheets to the heat lamp reflector bodies Fig. 15.
 10. Turn on the power at the isolating switch and check operation of the Tastic.

Installation

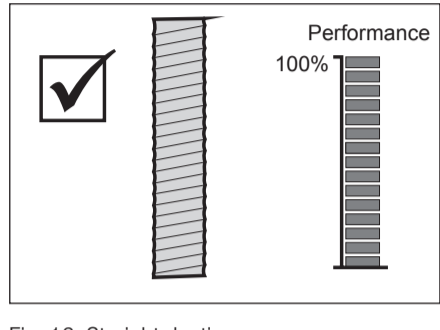


Fig. 16: Straight ducting

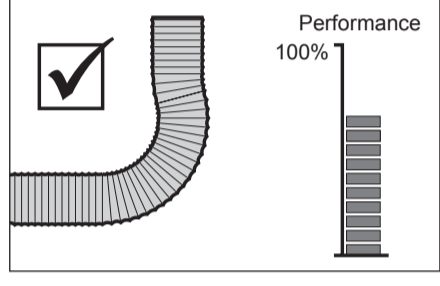


Fig. 17: Gradual bends, ducting stretched straight.

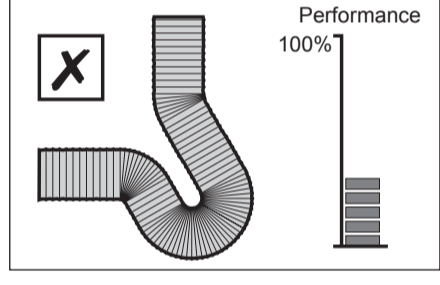


Fig. 18: Tightly compressed bends

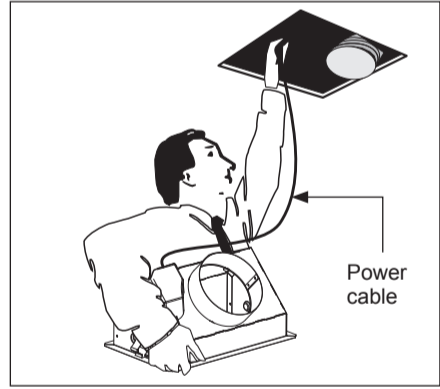


Fig. 19

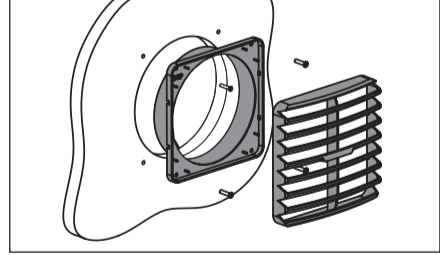


Fig. 20

Vent and Vent & Light modules (models 34401, 34402, 35401 & 35402)

1. These products have been designed to suit 150 mm dia. ducting. Determine the length of ducting required ensuring that the length is as short as possible. Refer to Fig's 16-18 to attain optimum performance.
2. Cut and tape a length of ducting 1 m long (maximum) to the blower inlet. If the exhaust air is to exit outside, tape remaining length of ducting to exit of blower.
3. Feed ducting and blower through hole in ceiling directing it towards the installation position of the outlet grille. Position blower so that the short length of ducting and power supply cable (models 34401 & 34402) is sitting next to the hole as per Fig. 19.
4. Make the necessary electrical connections per wiring diagrams, on the reverse of this sheet. Note the wall switch (included) wiring for the warm/cool LED in the vent & Light module (34401/34402)
5. Tape short length of ducting, from blower inlet, to transition.
6. Push unit into ceiling aperture, allowing metal springs to snap open. As the unit is raised into the ceiling, ensure electric cable do not rest on the unit.
7. To secure the unit in position, push lower ends of springs apart (Fig 12.). Ceiling board thickness should be adjusted to enable springs to be fitted without excessive force.
8. Clip fascia into the unit. Fig 13.
9. Turn on the power at the isolating switch and check operation of the unit.

Installing the Grille

1. Cut a hole 160 mm in diameter in eaves or outer wall. Feed ducting out through this hole, cut to the minimum duct length, and tape to the Grille baseplate.
2. Feed the ducting back through the hole so that the Grille base is against the eaves or outer wall.
3. Fix Grille base with four 6 G screws and snap fit the Grille louvres over the Grille base as shown in Fig. 20.

Note: A piece of fly screen can be fitted to the Grille base prior to fitting the Grille louvre.

VENT & LIGHT HEAT MODULE VENT MODULE

