

User Guide

Tastic® NEÖ™

Modules - Heat • Vent • Light

Model: 33131 Neo Light Small White - Hardwired

Model: 33132 Neo Light Small Silver - Hardwired

Model: 33141 Neo Light Large White - Hardwired

Model: 33142 Neo Light Large Silver - Hardwired

Model: 34101 Neo Vent n Lite White - Hardwired

Model: 34102 Neo Vent n Lite Silver - Hardwired

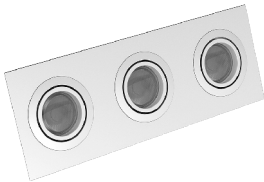
Model: 35101 Neo Vent White - Hardwired

Model: 35102 Neo Vent Silver - Hardwired

Model: 36111 Neo Heat White - Hardwired

Model: 36112 Neo Heat Silver - Hardwired

Electrical Rating: 230~240 V. 50 Hz.



Model: 33131, 33132, Neo Light Small



Model: 33141, 33142, Neo Light Large



Model: 36111, 36112, Neo Heat



Model: 34101, 34102, Neo Vent n Lite



Model: 35101, 35102, Neo Vent

Welcome

Thank you for buying this IXL Neo Module. Even if you have used a Neo before, there are very good reasons to read this user guide before using this one:

- You and your family, property and home will be safe from harm.
- You will learn how this appliance may differ from others.
- By using the Neo Module fully and properly, you will get maximum life and value from it.
- Our warranty depends on you using the Neo Module according to this user guide.

It will only take you a few minutes, so please read on!

Contents

Neo Module Range	Pg 3-4
Safety	Pg 5
How it Works	Pg 6
Ventilation Requirements	Pg 7
Overview	Pg 7
Heat Lamp Replacement	Pg 8-9
LED Replacement	Pg 10
Replacement Lamps	Pg 11
Cleaning & Maintenance	Pg 11
Frequently Asked Questions (FAQ)	Pg 12
Products	Pg 13
Warranties	Pg 14-15
Record Your Model	Pg 16

Neo Module Range



Model: 33131 Neo Light Small – White

33131 Neo Light Small – White

3 x 7 W LED Downlights

Hardwired

Cutout 332mm x 86mm

33132 Neo Light Small – Silver

3 x 7 W LED Downlights

Hardwired

Cutout 332mm x 86mm



Model: 33141 Neo Light Large – White

33141 Neo Light Large – White

4 x 7 W LED Downlights

Hardwired

Cutout 620mm x 86mm

33142 Neo Light Large – Silver

4 x 7 W LED Downlights

Hardwired

Cutout 620mm x 86mm



Model: 34102 Neo Vent n Light – Silver

34101 Neo Vent n Lite – White

3 x 7 W LED Downlights

Hardwired

Cutout 332mm x 214mm

170mm Ducted Blower, 375 m³/hr or 104 l/s

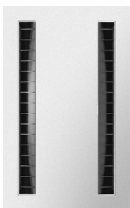
34102 Neo Vent n Lite – Silver

3 x 7 W LED Downlights

Hardwired

Cutout 332mm x 214mm

170mm Ducted Blower, 375 m³/hr or 104 l/s



Model: 35101 Neo Vent - White

35101 Neo Vent – White

Hardwired

Cutout 332mm x 214mm

170 mm Ducted Blower, 375 m³/hr or 104 l/s

35102 Neo Vent – Silver

Hardwired

Cutout 332mm x 214mm

170 mm Ducted Blower, 375 m³/hr or 104 l/s



Model: 36112 Neo Heat - Silver

36111 Neo Heat – White

1 x 800 W Tungsten Halogen Heat Lamp

Hardwired

Cutout 332mm x 292mm

36112 Neo Heat – Silver

1 x 800 W Tungsten Halogen Heat Lamp

Hardwired

Cutout 332mm x 292mm



Do not allow insulation material to rest against the sides or top of the Neo Module unit when installed. The Neo Heat Module must be installed horizontally in the ceiling. The Neo Vent Module is the only module with an IP rating (IPX4).

NOTE: This product must be installed by a qualified person.

Read through these instructions completely before commencing installation.

The tungsten halogen lamps heat by direct radiation rather than by heating the air in the room, so the Neo Heat should be located directly over where drying off occurs.

Locate the Neo Modules in accordance with the requirements of the current Australian/New Zealand Wiring Rules AS/NZS 3000 relating to damp situations.

In some installations this may mean that no part of the Module may be located directly above any part of a bath or shower recess or enclosure.

For unenclosed showers refer to Wiring Rules conditions.

Switches and other controls must not be located where they can be touched by a person in the bath or shower.

NOTE: Neo Heat Module must only be installed horizontally in ceiling.

- Do not look directly into heat lamps when in use.
- Neo Heat products are not tanning lamps.
- Make sure the lamps have cooled and power is off to the Neo Heat Module before removing lamps for replacement.
- Do not operate this appliance without the fascia or glass panels in position.
- This appliance is not intended for use by persons (including children) with reduced physical, sensory or mental capabilities, or lack of experience and knowledge, unless they have been given supervision or instruction concerning use of the appliance by a person responsible for their safety.
- Young children should be supervised to ensure they do not play with the appliance.
- This appliance must be mounted with the lowest point at least 2.3 metres from the floor.
- If the supply cord is damaged, it should be replaced by IXL Appliances or its service agent or a similarly qualified person in order to avoid a hazard.
- This appliance must not be mounted immediately below a socket outlet.

WARNING: Curtains or combustible material may ignite if in contact with the heater.

SAFETY FEATURES

Thermal Switch (Heat Module only)

When for any reason the temperature inside the unit reaches 65°C, the thermal switch will cut off power to the Tastic Neo. When the temperature drops, the thermal switch will automatically reset and reconnect the power.

The IXL Neo Module range has been designed to exacting standards to give you many years of trouble-free operation. To ensure you get the most from your Module there are a few simple points to keep in mind.

HEAT LAMPS

The IXL Neo Heat Module uses 800W tungsten halogen heat lamps in conjunction with reflective elements, for a more efficient dispersion of radiant heat. The tungsten halogen lamps provide instantaneous heat, and are designed to heat you and not your bathroom - that's the efficient way infra red heat works. To get the full benefit of Neo's tungsten halogen warmth, stand directly under the heat lamps. IXL's exclusive halogen lamps have been designed specifically for this application, and concentrate their heat for maximum effectiveness.

Make sure you have the Neo model that suits your bathroom ceiling height. This Neo is manufactured to offer peak performance with bathroom ceiling heights up to 2.4 m. If your bathroom ceiling is higher than 2.4m, more than one heat module may be required, depending on desired comfort levels.

VENTILATION

To ensure optimum performance of the exhaust fan, it is essential that there is adequate air flow into your bathroom to help the Neo's efficient exhaust fan to remove steam while you shower, venting directly outside. Your Neo works by drawing steam-laden air from the room, and as with all exhaust fans it is essential that sufficient air inlets are provided. Ensure adequate inlets exist through windows, vents or under the door. Air flow path from inlet to fan should ideally pass over the steam source.

The Vents are suitable for use on their own in bathrooms (with shower) up to 18m³ in size. If your bathroom is bigger than this, a secondary extraction unit may be required, depending on bathroom layout.

DOWN LIGHTS

The LED down lights in Neo Modules are designed to provide directional lighting in your bathroom. For specific tasks like shaving or putting make-up on, you may need extra lighting to suit your individual needs.

The heat lamps can also be used to provide additional bright illumination for your bathroom. Lighter coloured walls and decor also help brighten your bathroom by reflecting more light.

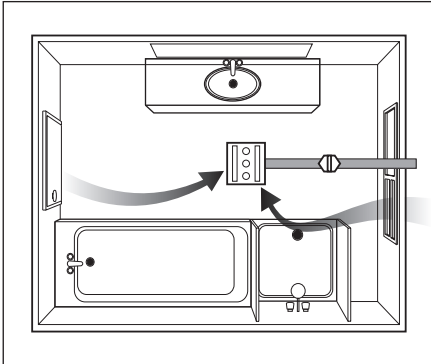


Fig. 1: Ideal placement of Neo Vent.
Sufficient air inlets into room are required

For maximum efficiency and fan performance there are a few key points to keep in mind when installing your Neo Vent.

Sufficient air inlet into room

Steam will only be removed if there is sufficient flow of air through the room. Ensure generous inlets exist through windows, vents or under the door. Air flow path from inlet to fan should ideally pass over the steam sources (see Fig.1).

Bathrooms which have high ceilings, are larger than average, or have an open shower may all require additional ventilation. We recommend that you visit our website for further details and suggestions on effectively ventilating your bathroom.

Overview

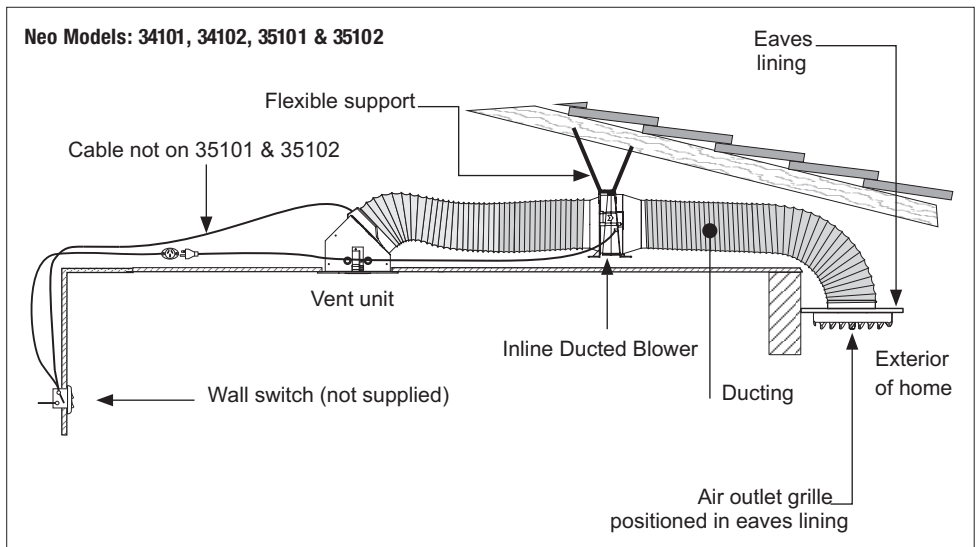
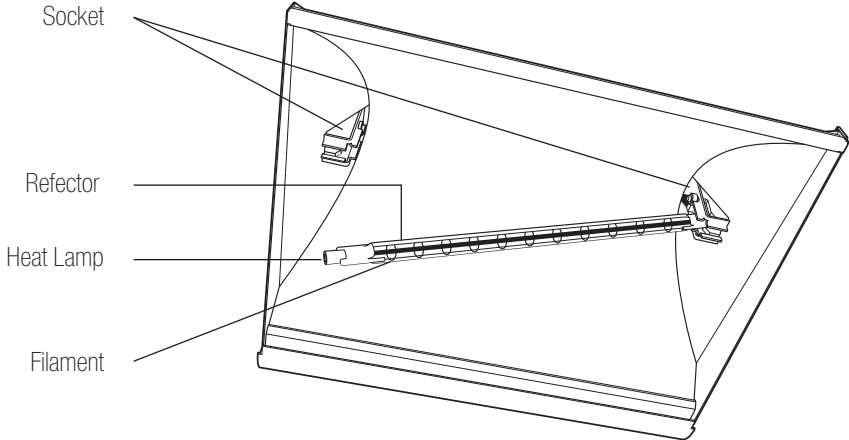


Fig. 2: Layout of Neo Vent and Vent n Lite.

Parts



Preparing

Turn the heat lamp off and let it cool for at least 5 minutes. For extra safety, switch the power off at the isolating switch.

Position a sturdy ladder of sufficient height to let you safely and comfortably reach the Tastic Neo. Ask someone to hold the ladder if you can.

Removing Glass Shield

With one hand gently press the glass shield (at a point close to the curved side of the reflector) 5 mm towards the ceiling and carefully slide it towards the curved side.

Hold your other hand below the other end of the shield to catch it when it drops.

If the shield chips, cracks or breaks, do not use the heat lamp without it. Replace it with IXL Tastic® Neo Tempered Glass Shield Part 12200, not normal household glass.

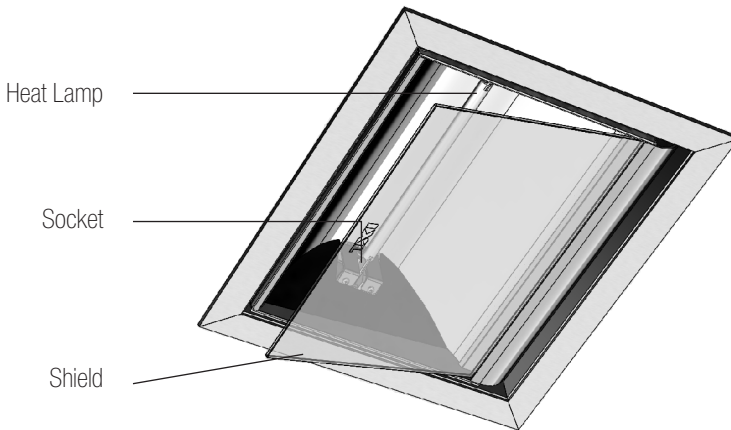
Removing Old Heat Lamp

A spring-loaded socket holds each end of the heat lamp.

Gently grasp the heat lamp and push it towards one socket.

When it is free of the other socket, carefully pull the heat lamp down towards you.

The heat lamp is not recyclable. Dispose of it like a normal incandescent light globe (i.e. unbroken, with your general waste, wrapped in any paper or cloth you used).



Fitting New Heat Lamp

Natural skin oils and salts damage new halogen lamps and shorten their life. Only handle a new heat lamp with soft, dry, clean, lint-free cloth or paper. You can wear gloves, cover your fingers or wrap the heat lamp until it is installed (so long as you remove all cloth or paper when finished).

If your skin touches a new heat lamp, wipe it gently with alcohol-moistened cloth or paper.

The heat lamp is half coated with a white reflector. When you grasp the heat lamp, face the back of the reflector to the ceiling (so you can see the heat lamp's filament). Not doing this will reduce performance.

Fit one end of the heat lamp into a socket and gently push it away from the other socket.

When there is enough room, fit the other end of the heat lamp into its socket.

Gently rotate the heat lamp to ensure it is correctly seated (i.e. it looks like the old one did before you removed it).

Replace the shield by reversing the directions for removing it.

Switch the power on and test the heat lamp.

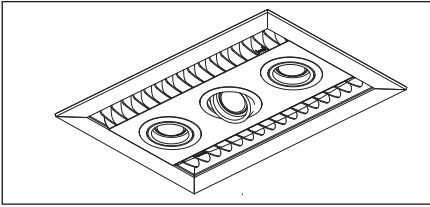


Fig. 8

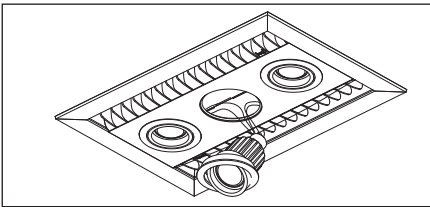


Fig. 9

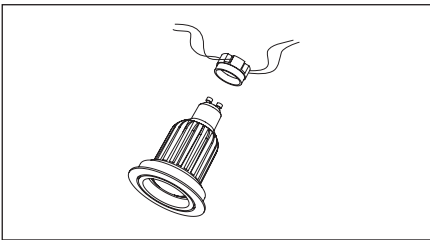


Fig. 10

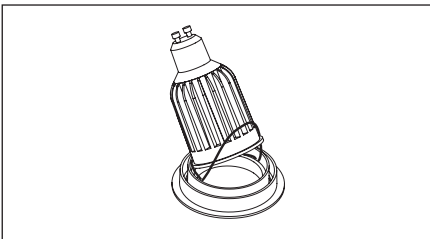


Fig. 11

Step 1 – Figure 8

Tilt the lamp ring.

Step 2 – Figure 9

Grip the lamp ring and pull lamp fitting away from fascia.

Step 3 – Figure 10

Twist the lamp holder to separate from the lamp.

Step 4 – Figure 11

Remove the lamp from the lamp ring.

Step 5

Reverse the steps above to re-fit the lamp.

NOTE: Replacement with any other lamps other than those listed below may cause damage to the Neo Module and void the warranty.

Heat Lamps

The IXL Tastic lamps have been specially developed for best performance.
R7s, 258mm long, 800W max. IXL Cat No. 11380

NOTE: Replace only with genuine IXL approved infra red halogen heat lamps.

Light Bulb

GU10 7W LED Cat No. 12253

Light bulb is not covered by manufacturer's warranty.

NOTE: These lamps can not be replaced with Halogen lamps. Maximum lamp wattage is 7W.

Cleaning & Maintenance

WARNING: Always make sure the unit is turned off and allow all bulbs to cool before cleaning.

Maintenance of the Neo Module is required to ensure the quality of the product and functions are maintained.

It is recommended that the Neo Module body, fascia and globes be checked and cleaned every 2 years.

To clean the fascia and air inlet of dust and lint use a vacuum with a brush attachment, alternatively a damp cloth with liquid glass cleaner can also be used.

Cleaning and maintenance will help to preserve the life-span and performance of the Neo Module.

Service

NOTE: Do not remove the Neo Module from the ceiling. Your Neo Module will be serviced in your home.

If service is required, please contact IXL's Service Centre on 1300 727 421.

Frequently asked questions

Q – Will my Neo Heat Module heat my bathroom?

A – No your Neo Heat Module is designed to provide infra red radiant heat to warm the body while drying, when standing directly underneath. It is not designed as a room heater.

Q – Can I install my Tastic Neo directly above a shower recess?

A – A Neo Vent Module can be installed directly above a shower recess. However, for safety reasons it is not recommended to install any other Neo Modules above shower recess. Please refer to the current Australian/New Zealand Wiring Rules AS/NZS 3000 relating to damp situations for further details.

Q – What is the maximum recommended light globe wattage that I can install in my Neo Module?

A – 7W GU10 downlights can be installed in a Neo Module.

Q – Why is my Neo Vent making noise?

A – All Neo's create some noise due to the rapid movement of air through the Neo.

Q – Can I retro fit a remote control to my existing hardwired Neo Module?

A – No, unfortunately this is not possible.

Q – Can I vent and terminate my Tastic vertically through the roof?

A – Yes, you can use rigid 150mm diameter duct with appropriate fixings, termination and flashing - this must only be performed by a qualified person.

Q - My Tastic unit's extraction fan doesn't seem to be removing all the moisture and steam from my bathroom?

A – There are a number of factors that will influence the exhaust fan's performance. Firstly you can improve your cross ventilation via an open door or window; refer to page 7 of the instructions for details on improving the room's air flow.

If you live in a traditionally cooler climate, in the winter months during hot showers, you may notice that there is more moisture and condensation build up. If this is the case, you may wish to improve your natural ventilation or invest in an additional exhaust fan.

Bathrooms which have high ceilings, are larger than average, or have an open shower may all require additional ventilation. We recommend that you visit our website for further details and suggestions on effectively ventilating your bathroom.

IXL Range: Tastic and Ventilation

Within the IXL Tastic and ventilation range there are a number of products and optional accessories available, these include:

- Tastic 3 in 1: Heat, Light and Fan
- Tastic 2 in 1: Heat and Light
- Ducted Tastics
- Ventilation Fans
- Ventilation and Light Units
- Eco Tastics
- Easy Duct Thermal Transfer System
- Tastic Neo
- Neo Modules

IXL Range: Accessories

- Genuine IXL Heat Lamps
- Centre Globes
- In line Ducting
- Grilles and Fascias

For more information, please contact Sampford IXL on 1300 727 421 or visit the website at www.ixlappliances.com.au

This Warranty against defects for your newly purchased Tastic product is proudly prepared by Sampford IXL Pty Ltd, phone 1300 727 421.

1. Sampford IXL Tastic products come with guarantees that do not exclude the following consumer entitlements under the Australian Consumer Law:
 - a. replacement or refund for a major failure and compensation for any other reasonably foreseeable loss or damage; and
 - b. to have the goods repaired or replaced if goods fail to be of acceptable quality and the failure does not amount to a major failure.
2. Sampford IXL warrants that your product and related supply will be free from defects in materials and workmanship during the warranty term. Your warranty term is five years with a two year replacement warranty on the heat lamps and inline blower, commencing from the date of purchase. Sampford IXL acknowledges this product requires professional installation and product removal is hazardous to consumers, accordingly any necessary inspections and services will be carried out on site. You should not attempt to uninstall this product.
3. Subject to Point 1, Sampford IXL will repair any defects in materials and workmanship during the warranty term and if the product is deemed irreparable provide a replacement of an equivalent current model where the balance of the warranty period from the original date of purchase will take effect. Also subject to Point 1, where the inline blower unit is installed into an environment that has limited access and the unit needs to be serviced or replaced under warranty, a replacement blower will be supplied free of charge by Sampford IXL however, all associated reinstallation charges will be borne by the owner.
4. To the fullest extent permitted by law and subject always to Point 1, Sampford IXL will not be liable for:
 - a. any loss or damage arising from loss of use, loss of profits or revenue; or
 - b. for any indirect or consequential loss or damage resulting from any breach of this warranty against defects.
5. Defective Sampford IXL Tastic products may be repaired using refurbished parts or if required, completely replaced by a refurbished product of the same type.

Limitations to Your IXL Warranty

6. Subject to Point 1, this Warranty:
 - a. will only be provided to the original purchaser where the original purchase was made from a Sampford IXL Authorised Dealer or Reseller and proof of such purchase can be presented at the time of service;
 - b. only applies to Sampford IXL Tastic products purchased in Australia from a Sampford IXL Authorised Dealer or Reseller and installed by a qualified person where a Certificate of Compliance in accordance with State/Territory laws is provided;
 - c. will not apply where the defect in or failure of the product is attributable to misuse, abuse, accident or non-observation of the manufacturer's instructions. This product must be used in accordance with the manufacturer's instructions;

- d. will not cover faults due to normal wear and tear with reasonable use nor consumable components such as globes, filters, glass items, etc;
- e. will not cover any damages or problems caused to this product by natural forces eg. storm, fire, food, and earthquake; or by intrusion or accumulation (or both) of foreign matters eg. dust, soil, and moisture. Sampford IXL recommends that you take out appropriate insurances to protect your product to this end;
- f. will not apply if this product is installed in a mobile dwelling eg. caravan or boat;
- g. will not apply if this product is removed from the location where it was first installed;
- h. is immediately void if the serial or model number label is removed or defaced;
- i. is immediately void if the product is serviced or repaired by a unauthorised/unqualified personnel;
- j. covers use of this product for domestic use only;
- k. will not be restarted or extended upon repair or replacement of the product or a part.

How to make a Claim under Your IXL Warranty

7. To make a claim under this Warranty you will need to:
 - a. contact Sampford IXL service department on 1300 727 421 or aftersaleservice@ixl.com.au to provide details and register your claim enabling a Sampford IXL assessment;
 - b. submit proof of purchase with your claim eg. tax invoice or purchase receipt;
 - c. where a property has been constructed by a builder/developer and it is fitted with IXL products, please submit proof of purchase by way of the certificate of occupancy, with your claim.
8. Sampford IXL will contact you to make arrangements for service on site.
9. Subject to Point 1, you will be responsible for any costs relating to the provision of your product to a Sampford IXL Authorised Service Dealer.
10. Subject to Point 1, in the event you live more than 50 km from a Sampford IXL Authorised Service Dealer you may be subject to travel or transport costs to facilitate the repairing or replacement of your IXL product.
11. Sampford IXL and its Authorised Service Dealers reserve the right to seek reimbursement of any costs incurred by them should your IXL product be found to be in good working order.

Privacy

The privacy of your personal information has always been important to us. To learn more about how we collect, keep and use your personal information, please obtain a copy of our privacy statement by visiting our website at www.sampfordixl.com.au or by contacting us via email on info@sampfordixl.com.au or by telephone on 1300 727 421.

**RECORD THE DETAILS OF YOUR MODEL AND KEEP THE FOLLOWING INFORMATION
DO NOT SEND THIS TO IXL**

Installed By

Suburb

Date of Purchase

Model No. Serial No

For comments, questions or warranty matters:

Sampford IXL Pty Ltd
Service Department
Phone: 1300 727 421
Fax: 1300 727 425
aftersaleservice@ixl.com.au
info@sampfordixl.com.au
www.ixlappliances.com.au



Approved by the appropriate electrical supply authorities.