

This remote control will suit the Fresco Aurora Model 23101 however it is not compatible for use with the IXL Fresco Model 22001. The remote will allow for the heat, ambient light and colour light to be operated independently.

### This kit contains the following components:

- Remote
- 2 x AA Batteries
- Wall Bracket
- 1 x No.8 x 35 Pan Head Wood Screw

### Operation of Remote

For optimal performance, the remote must be operated within 1metre of Fresco Aurora. The remote is equipped with IR technology. (See Fig.1)

### Heat Operation

The power button on the left of the remote, allows for the operation of the heating elements. When this is turned on, the heater will operate on the setting that was last programmed.

The High heat setting, allows for the heater to run with both heat elements operating.

The Low heat setting turns off one of the heat elements to provide reduced heating.

### Ambient Light Operation

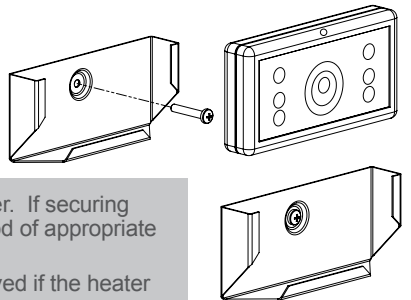
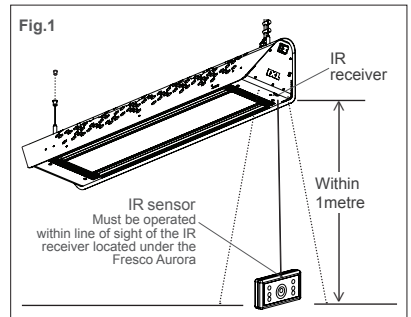
The power button on the right of the remote, allows for the operation of the ambient lighting to illuminate on the Fresco Aurora. When switched on, the light level which was last selected will operate only. The brightness of this lighting can be adjusted by increasing or decreasing to the desired level.

### Coloured Mood Light Operation

The power button in the centre of the remote, allows for the operation of the coloured lights. When this is turned on, the colour that was last selected will be activated. The coloured wheel on the display can be used to select the desired colour. To activate the Mood Colour cycle, you must hold down the Coloured power button for ten seconds to activate it. When using the remote without the app, function will cycle through the colour wheel. If using this mode inconjunction with the app, the last selected mood on the app will cycle through. To reset the remote to full colour wheel, power unit off & on. To turn this feature off, just press the power button.

### Mounting of Remote to Wall

Included is a wall mount kit to house the remote. To secure the wall bracket, position the wall bracket to the desired height from the floor and secure the bracket with the screw provided



**Note:** The screw provided is only suitable for use with timber. If securing the wall bracket to other materials, use an alternative method of appropriate fixing.

To extend battery life, it is recommended that they be removed if the heater is to be unused for an extended period of time.